

ADDENDUM

Peoria Park District  
Bradley Park Equipment Service Center  
1314 N. Park Road  
Peoria, IL 61604  
Telephone: (309) 686-3386

ADDENDUM NO. ONE

PROJECT TITLE: New Restroom and Site Work  
W. H. Sommer Park

ISSUANCE DATE: November 14, 2017

The proposed Contract Documents for this Work are modified as follows:

I. DRAWINGS:

Romtec has supplied typical foundation drawings. The four (4) attached drawing shall supersede notes #1- #4 on Sheet S1, and shall be used for bidding purposes. If final engineered requirements exceed these typical details, a change order may be proposed.

Sheet C300 – Add Note #3

3. Connection to existing water service shall include a dedicated shut-off valve (ball-type) and tee fitting (with threaded pressure cap) beyond valve to allow for compressed air connection for winterization of water line between connection and restroom. An additional shut off valve (ball type) shall be installed where water line enters new restroom building. Tee fittings (with threaded pressure caps) shall be installed on each side of valve to allow winterization of water line, or draining of restroom fixtures only.

Sheet C400 – Detail “Water Service Backfill and Patching Details in Paved Areas”

Change detail to read: Primary and secondary backfill shall both be flowable fill for entire depth of trench within paved areas. The minimum trench width shall not apply.

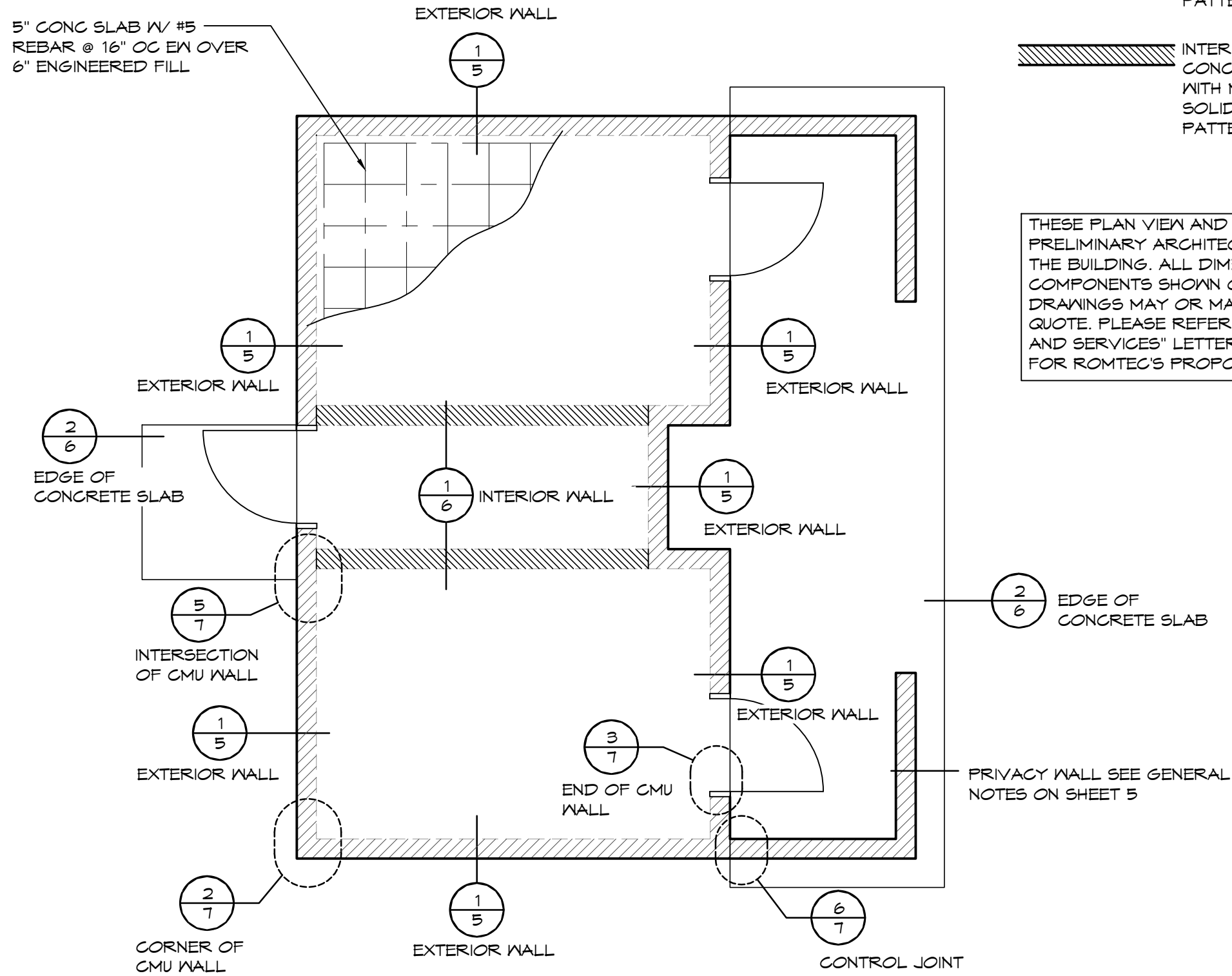
II. PROJECT MANUAL/SPECIFICATIONS/GENERAL CONDITIONS/ETC.:

None


III. INVITATION TO BID:


None

5" CONC SLAB W/ #5 REBAR @ 16" OC EW OVER 6" ENGINEERED FILL



### WALL TYPE SCHEDULE

 EXTERIOR WALL - 8" REINFORCED CONCRETE MASONRY BLOCK WALL WITH MORTAR JOINTS, GROUTED SOLID ALL CELLS RUNNING BOND PATTERN.

 INTERIOR WALL - 8" REINFORCED CONCRETE MASONRY BLOCK WALL WITH MORTAR JOINTS, GROUTED SOLID ALL CELLS RUNNING BOND PATTERN.

THESE PLAN VIEW AND ELEVATION DRAWINGS ARE A PRELIMINARY ARCHITECTURAL REPRESENTATION OF THE BUILDING. ALL DIMENSIONS, FEATURES AND COMPONENTS SHOWN ON THESE PRELIMINARY DRAWINGS MAY OR MAY NOT BE PART OF THE QUOTE. PLEASE REFER TO THE "SCOPE OF SUPPLY AND SERVICES" LETTER PROVIDED WITH YOUR QUOTE FOR ROMTEC'S PROPOSED SCOPE OF SUPPLY.

**1** EXAMPLE FOUNDATION  
SCALE: 1/4" = 1'-0"

**ROMTEC**

18240 NORTH BANK ROAD - ROSEBURG, OR 97470  
(541) 496-3541 FAX (541) 496-0803

PRELIMINARY

FOR BID PURPOSES ONLY NOT FOR CONSTRUCTION  
© 2016 ROMTEC, INC. ALL RIGHTS RESERVED. THESE PLANS AND DRAWINGS MAY NOT BE REPRODUCED, ADAPTED OR FURTHER DISTRIBUTED, AND NO BUILDINGS MAY BE CONSTRUCTED FROM THESE PLANS, WITHOUT THE WRITTEN PERMISSION OF ROMTEC, INC.

PROJECT: SIERRA  
CUSTOMER PROJECT LOCATION

SHEET TITLE: EXAMPLE FOUNDATION

PROJECT#:	.	
MODEL#:	SIERRA	
DATE:	00/00/16	
REVISIONS		
REV.	DATE:	BY
DRAWN BY:	TH	

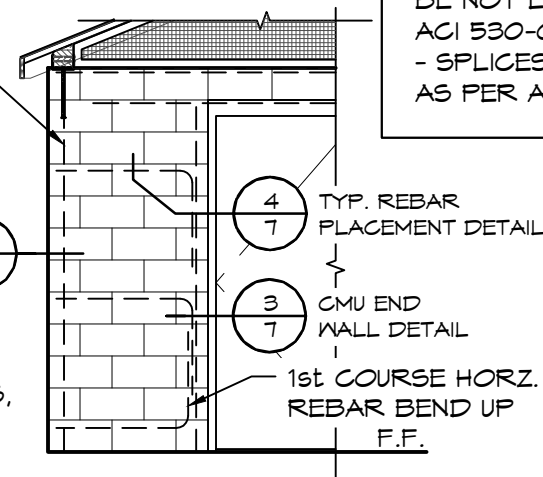




CMU REBAR SCHEDULE		
REBAR	MIN. LAP	BEND RAD.
#4	24"	3" MIN.
#5	30"	3-3/4" MIN.

VERTICAL #4 REBAR @ 32"oc  
 HORIZONTAL #4 REBAR @ 32"oc  
 #4 REBAR ALL SIDES OF OPENINGS  
 (2) #4 REBAR ABOVE & BELOW  
 MAJOR OPENINGS (>2'-0" WIDE)  
 (2) #4 REBAR @ TOP COURSE

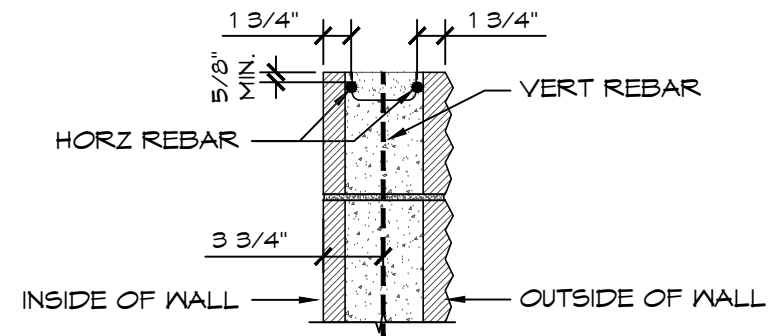
CMU CORNER  
 WALL DETAIL



NOTE: HORIZONTAL REBAR TO GO  
 AROUND VERTICAL REINFORCEMENT  
 WITH STANDARD BEND AT ALL CORNERS,  
 AND HORIZ REBAR TO BEND DOWN AND  
 LAP VERTICAL REBAR AT ALL OPENING  
 LOCATIONS AS PER DETAILS THIS PAGE.

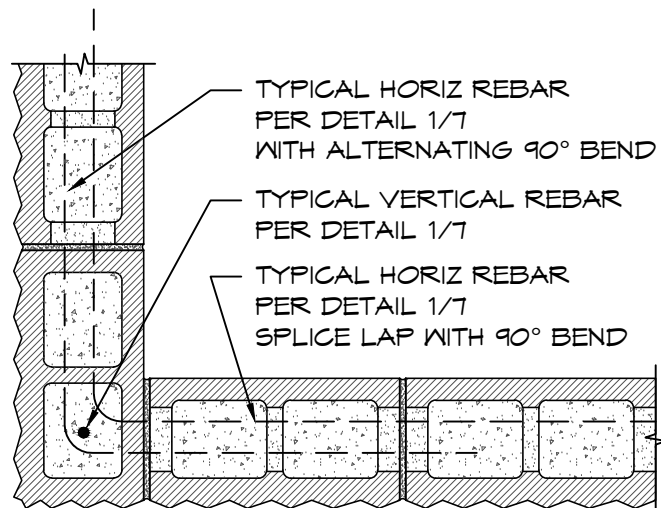
**CMU REBAR NOTES:**  
 - BENDS: MIN. INSIDE BEND RADIUS SHALL  
 BE NOT LESS THAN 6d AS PER  
 ACI 530-08 SECTION 1.15.6  
 - SPLICES: LAP SPLICES ARE PERMITTED  
 AS PER ACI 530-08 SECTION 2.1.9.7

**PIPES INSTALLED THROUGH CMU WALL NOTES:**  
 - SUPPLY: THE FIXTURE SUPPLY LINE SHOULD  
 BE BORED A 1/2" LARGER THAN REQUIRED  
 LINE SIZE AND THE PORTION OF PIPE LOCATED  
 IN CMU WALL SHALL BE WRAPPED WITH 10MIL  
 BLACK TAPE  
 - WASTE PIPE: THE FIXTURE WASTE LINE  
 SHOULD BE BORED A 1/2" LARGER THAN  
 REQUIRED LINE SIZE.

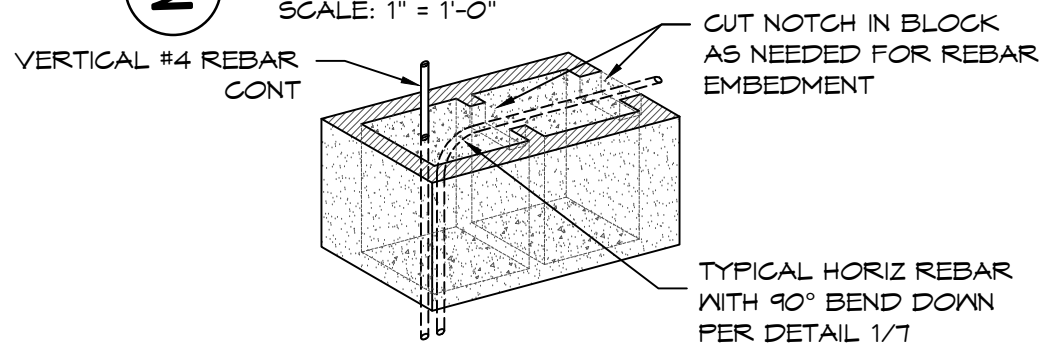


NOTE: REBAR INSTALLED AS PER ACI 530-08  
**4 REBAR PLACEMENT**  
 SCALE: 1" = 1'-0"

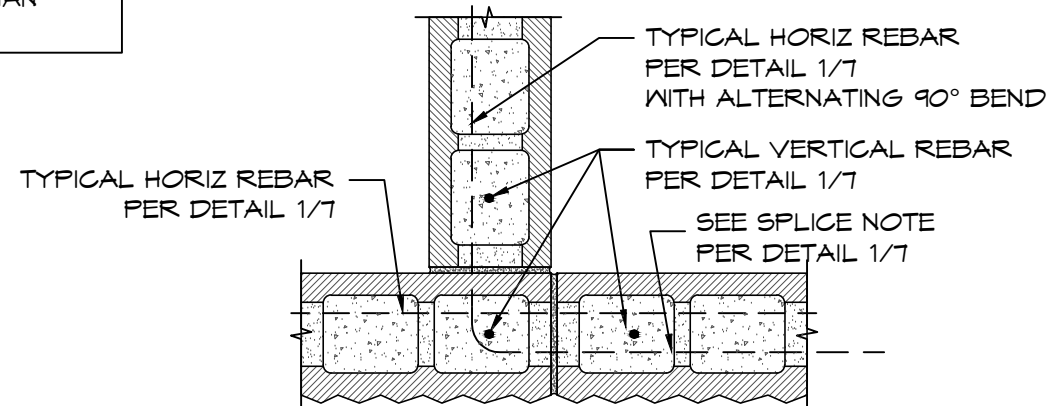
**1 CMU REBAR LAYOUT DETAIL**  
 SCALE: 1/4" = 1'-0"



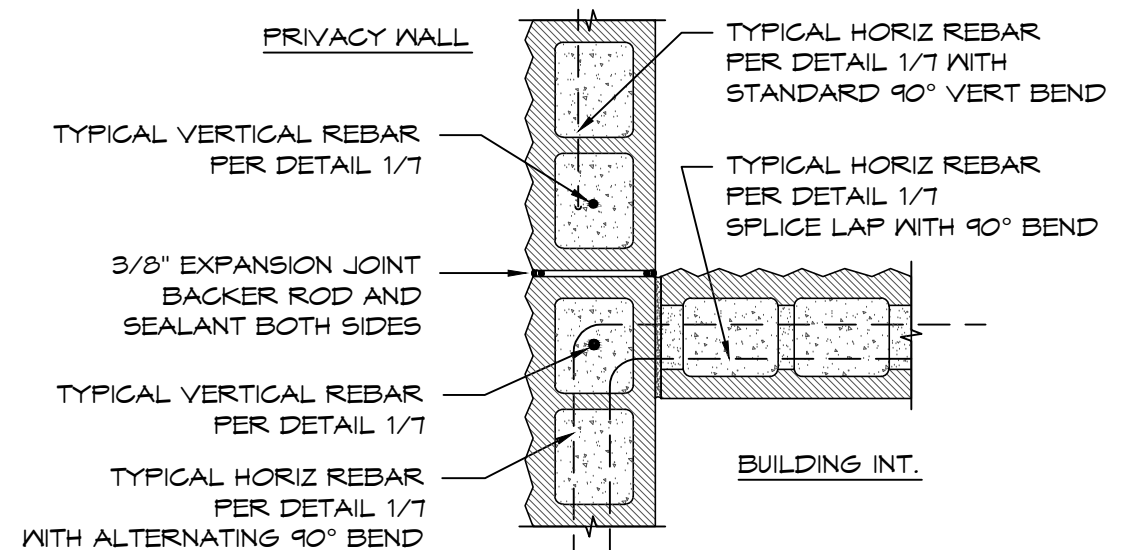
**2 MORTAR JOINT CMU CORNER DETAIL**  
 SCALE: 1" = 1'-0"



**3 MORTAR JOINT CMU WALL END DETAIL**  
 SCALE: 1" = 1'-0"



**5 MORTAR JOINT CMU INTERSECTION DETAIL**  
 SCALE: 1" = 1'-0"



**6 MORTAR JOINT CMU CONTROL JOINT DETAIL**  
 SCALE: 1" = 1'-0"

**ROMTEC**

18240 NORTH BANK ROAD - ROSEBURG, OR 97470  
 (541) 496-3541 FAX (541) 496-0803

PRELIMINARY

FOR BID PURPOSES ONLY NOT FOR CONSTRUCTION  
 © 2016 ROMTEC, INC. ALL RIGHTS RESERVED. THESE PLANS AND DRAWINGS MAY NOT BE REPRODUCED, ADAPTED OR FURTHER  
 DISTRIBUTED, AND NO BUILDINGS MAY BE CONSTRUCTED FROM THESE PLANS, WITHOUT THE WRITTEN PERMISSION OF ROMTEC, INC.

PROJECT: SIERRA  
 CUSTOMER PROJECT LOCATION

PROJECT#:	
MODEL#:	SIERRA
DATE:	00/00/16
REVISIONS	
REV.	DATE:
	BY
DRAWN BY:	TH

SHEET TITLE: STRUCTURAL WALL DETAILS

SHEET NO.

7

**END OF ADDENDUM #1**